

Pergola Installation Manual



General Instructions

TOOLS REQUIRED

- Hammer Drill
- Hammer/Mallet
- 2 Adjustable Wrenches
- Power Drill with Philips drill bit
- Level
- Framing Square
- 15/16" Socket Wrench (Deep Well)
- Metal Cutting Saw

FOUNDATION RECOMMENDATIONS

- Anchor to solid surface (IE. concrete/ concrete footers)
- Level ground preferred when assembling












454 Fairman Road, Lexington KY 40511

Website: www.baypointeoutdoors.com Phone: 859.948.6026

Pergola Parts List



CLASSIC SEASIDE PERGOLA PARTS

PART	DESCRIPTION		QUANTITY
1	Wedge Anchor 5/8 - 11x6"		1 per column
2	Washer 5/8"		2 per column
3	Hex Nut 5/8 - 11"		2 per column
4	Coupling Nut 5/8 - 11 x 2"		1 per column
5	Threaded Rod 5/8 - 11"		1 per column
6	Wood Screw 3"		4 per purlin
7	Cedar Column		
8	Header		
9	Purlin		

STEP 1

Wedge Anchor and Column Assembly – FIGURE A

Note: If installing on deck add blocking between joists where column will be placed. Use 5/8 hex nut and 5/8 washer (not included) and cut all thread rod with metal saw. Cut to required length (not to exceed 10"). Threaded rod, hex nut and washer assembly will replace wedge anchor.

1. Determine column locations and drill holes for supplied anchors (using hammer drill). Holes should be 4"x 5/8 diameter.
2. Insert wedge anchor (threaded end up) using hammer or mallet, be sure to leave at least 2" of thread above concrete. Insert washer and hex nut, tighten firmly.
3. Insert coupling nut and tighten against hex nut (only half of coupler threads should be occupied).

Note: If using optional stone bases, center base around wedge anchor and place column.

4. Center Column around wedge anchor assembly.

Note: For Tuscan pergolas only make sure round tapered base is centered on wedge anchor before column placement.

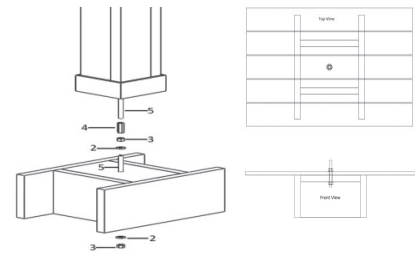


Figure A (Deck Blocking)

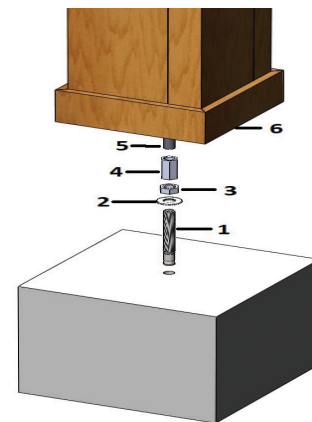


Figure A (Wedge Anchor and Column Assembly)

STEP 2

Threaded Rod and Header Assembly – FIGURES A & B

1. From the top side of the column insert threaded rod through column and into the coupling nut of the wedge anchor assembly, and tighten firmly.
2. Repeat steps 1-2 to assemble remaining columns.

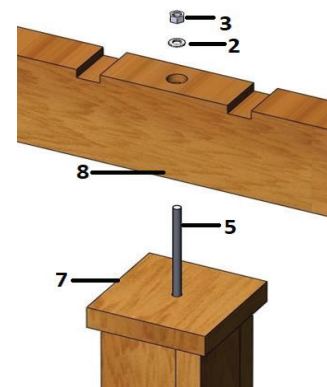


Figure B (Threaded Rod and Header Placement)

STEP 3

Purlin and Header Assembly – FIGURES B & C

Note: If pergola is being attached to a home, provided ledger board will replace the back header. Determine proper location and install using customer provided hardware that is specific to your application.

Note: For Tuscan Pergolas only center tapered cap around top of column before installing headers. Also at this time install copper cap covers by sliding them down over the top of the cap.

1. Place headers on top of column assembly so that the threaded rod passes through the predrilled holes. Insert washer and hex nut, finger tighten.
2. Place a single purlin on each end by aligning the pre-cut notches.
3. Make sure all columns are straight/plumb and all headers and purlins are level and square all the way around.
4. Use 15/16" deep well socket wrench to tighten the nut firmly on each column assembly.

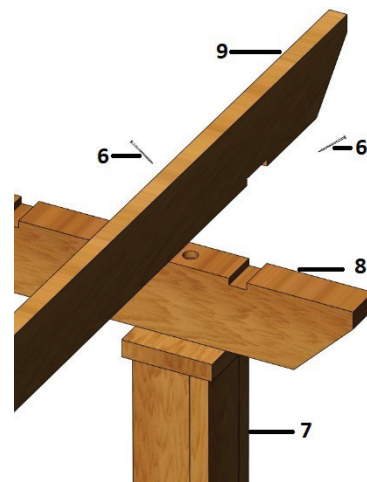


Figure C (Header and Purlin Placement)

STEP 4

Installing Remaining Purlins – FIGURE C

1. If necessary cut the remaining threaded rod flush with the top of the header using a metal cutting saw.
2. Install remaining purlins using a 3" screw on each side at a 45 degree angle.

Note: If installing optional trellis top, place each trellis board in precut notches after all purlins are installed. Secure with a 3" wood screw at each intersection.

Note: If installing optional decorative arches / angled corner supports, after pergola is fully assembled, place each arch and secure using supplied washers and 4" lag screws in predrilled holes.

Additional Notes

Seasonal temperature changes will cause the material to expand/contract so you will need to inspect and re-tighten and lose nuts and screws accordingly