

# Pavilion Pergola Installation Manual



## General Instructions

### TOOLS REQUIRED

- Hammer Drill
- Hammer/Mallet
- 2 Adjustable Wrenches
- Power Drill with Philips drill bit
- Level
- Framing Square
- 15/16" Socket Wrench (Deep Well)
- Metal Cutting Saw

### FOUNDATION RECOMMENDATIONS

- Anchor to solid surface (IE. concrete/ concrete footers)
- Level ground preferred when assembling
- Use 15/16" deep well socket wrench to tighten the nut firmly on each column assembly












454 Fairman Road, Lexington KY 40511

Website: [www.baypointeoutdoors.com](http://www.baypointeoutdoors.com) Phone: 859.948.6026

# Pergola Parts List



## CLASSIC BAYSIDE PAVILION PARTS

PART	DESCRIPTION		QUANTITY
1	Wedge Anchor 5/8 - 11x6"		1 per column
2	Washer 5/8"		2 per column
3	Hex Nut 5/8 - 11"		2 per column
4	Coupling Nut 5/8 - 11 x 2"		1 per column
5	Threaded Rod 5/8 - 11"		1 per column
6	Wood Screw 3"		4 per purlin
7	Lag Screw 3/8 x 10"		x4
8	Cedar Column		
9	Header		
10	Purlin		
11	Header & Center Support		

## STEP 1

### Wedge Anchor and Column Assembly – FIGURE A

**Note:** If installing on deck add blocking between joists where column will be placed. Use 5/8 hex nut and 5/8 washer (not included) and cut all thread rod with metal saw. Cut to required length (not to exceed 10"). Threaded rod, hex nut and washer assembly will replace wedge anchor.

1. Determine column locations and drill holes for supplied anchors (using hammer drill). Holes should be 4"x 5/8 diameter.
2. Insert wedge anchor (threaded end up) using hammer or mallet, be sure to leave at least 2" of thread above concrete. Insert washer and hex nut, tighten firmly.
3. Insert coupling nut and tighten against hex nut (only half of coupler threads should be occupied).

**Note:** If using optional stone bases, center base around wedge anchor and place column.

4. Center Column around wedge anchor assembly.

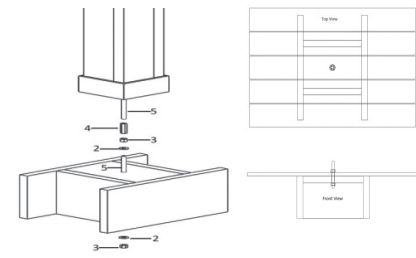


Figure A (Deck Blocking)

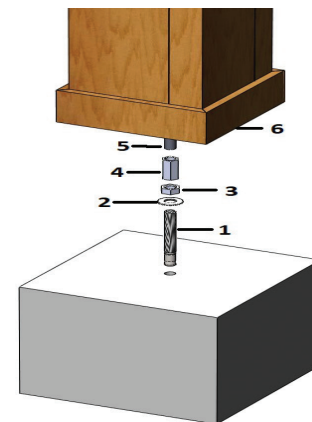


Figure A (Wedge Anchor and Column Assembly)

## STEP 2

### Threaded Rod and Header Assembly – FIGURES A & B

1. From the top side of the column insert threaded rod through column and into the coupling nut of the wedge anchor assembly, and tighten firmly.
2. Repeat steps 1-2 to assemble remaining columns.

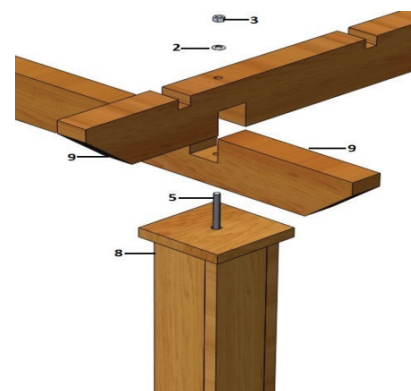


Figure B (Threaded Rod and Header Placement)

## STEP 3

### Header Assembly – FIGURES B & C

1. Place first set of headers on top of column assembly so that the threaded rod passes through the predrilled holes. Place second set of headers on top and perpendicular to first set of headers. Insert washer and hex nut, finger tighten.
2. Use 15/16" deep well socket wrench to tighten the nut firmly on each column assembly.
3. Place top header on preassembled front and rear headers and align notches. Power drill washer and lag screw through predrilled holes on top header.

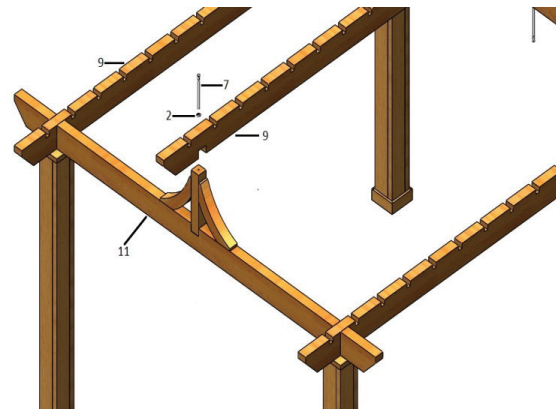


Figure C (Header and Purlin Placement)

## STEP 4

### Installing Remaining Purlins – FIGURE D

1. If necessary cut the remaining threaded rod flush with the top of the header using a metal cutting saw.
2. Place and align purlins in the precut notches on the bottom and top headers.
3. Using a 3" screw on both side at 45 degree angles.

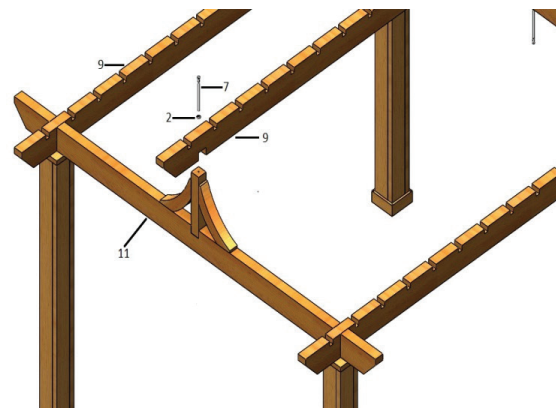


Figure D (Purlin Placement)

**Note:** If installing optional trellis top, place each trellis board in precut notches after all purlins are installed, Secure with a 3" wood screw at each intersection.

**Note:** If installing optional decorative arches/ angled corner supports, after pergola is fully assembled, place each arch and secure using supplied washers and 4" lag screws in predrilled holes.

### Additional Notes

Seasonal temperature changes will cause the material to expand/contract so you will need to inspect and re-tighten and lose nuts and screws accordingly